

AKOPRO

Electronic panels



PROPlus 3PH BASIC

For three-phase condensing units and evaporators with three-phase resistors



Electronic panel with thermo-magnetic circuit breaker up to 25 A, for controlling cold rooms.

Easy installation thanks to its new connecting strip.

- Access for connecting the securities: thermistors, pressure switches, resistor thermostats
- Management up to 2 condensing fans (first: direct, second by PA)
- Control of cold room's light by door contact
- Stop fans and solenoid to open the door

Reference	Condensing Unit		Evaporator		Defrost	Light	Power supply	Family	Pack
	Compressor	Compressor							
	400 V/III	230 V/I	230 V/I	400 V/III	400 V/III				
AKO-15690	2,5 - 4 A	3 A	4 A	-	7.000 W	250 W	400 V/III	PROPlus 3PH BASIC	1 Unit
AKO-15691	4 - 6,3 A	3 A	4 A	-	7.000 W	250 W	400 V/III	PROPlus 3PH BASIC	1 Unit
AKO-15692	6,3 - 10 A	3 A	4 A	-	10.200 W	250 W	400 V/III	PROPlus 3PH BASIC	1 Unit
AKO-15693	10 - 12 A	3 A	5 A	-	10.200 W	250 W	400 V/III	PROPlus 3PH BASIC	1 Unit
AKO-15699	-	-	-	1,6 - 2,5 A	10.200 W	250 W	400 V/III	PROPlus 3PH BASIC	1 Unit
AKO-15699-1				6,3 - 10A	20.000 W	250 W	400 V/III	PROPlus 3PH BASIC	1 Unit

PROPlus 3PH BASIC + EVC

For three-phase condensing units and evaporators with resistors



Electronic panel, with thermo-magnetic circuit breaker up to 25 A, for controlling cold rooms.

- Single-phase and three-phase fans (depending on model)
- Access for connecting the securities: thermistors, pressure switches, resistor thermostats (except service panels)
- Included AKO controller to the stepper electronic expansion valve.

Reference	Condensing Unit			Fans		Defrost	Light	Family	Pack
	Compressor	Condenser							
	400 V-III	230 V-I	400 V-III	230 V-I	400 V-III	400 V-III	230 V-I		
AKO-15690-EVC	2,5 - 4 A	3 A		4 A		7000 W	250 W	PROPlus 3PH BASIC	1 unit
AKO-15691-EVC	4 - 6,3 A	3 A		4 A		7000 W	250 W	PROPlus 3PH BASIC	1 unit
AKO-15692-EVC	6,3 - 10 A	3 A		4 A		7000 W	250 W	PROPlus 3PH BASIC	1 unit
AKO-15693-EVC	10 - 12 A	3 A		4 A		10200 W	250 W	PROPlus 3PH BASIC	1 unit
AKO-15697-EVC				5 A		10200 W	250 W	PROPlus 3PH BASIC	1 unit
AKO-15699-EVC					1,6 - 2,5 A	10200 W	250 W	PROPlus 3PH BASIC	1 unit

PROPlus 3PH

Electrical and electronic panels for three-phase condensing units and evaporators



Electronic panel with thermo-magnetic circuit breaker up to 16 A, for controlling cold rooms. Easy installation thanks to its new connecting strip.

- Compressor/liquid solenoid
- Single-phase and three-phase fans (depending on model)
- Air or electrical defrost
- Access for connecting the securities: thermistors, pressure switches, resistor thermostats (except service panels)
- Management up to 2 condensing fans (first: direct)
- Control of cold room's light by door contact

Condensing units				Evaporator			Light	Family	Pack
Reference	Compressor	Condensing		Fans		Defrost			
	400 V-III	230 V-I	400 V-III	230 V-I	400 V-III	400 V-III	230 V-I		
AKO-15650	2,5 - 4 A	3 A		3 A		7000 W	460 W	PROPLUS-3 Phase	1 Unit
AKO-15651	4 - 6,3 A	3 A		3 A		7000 W	460 W	PROPLUS-3 Phase	1 Unit
AKO-15651-3			0,63 -1 A						
AKO-15652	6,3-10 A	3 A		3 A		10200 W	460 W	PROPLUS-3 Phase	1 Unit
AKO-15652-3			1-1,6 A						
AKO-15653	10-12 A	3 A		3 A		10200 W	460 W	PROPLUS-3 Phase	1 Unit
AKO-15653-3			1-1,6 A						
AKO-15658					1-1,6 A	7000 W	460 W	PROPLUS-3 Phase	1 Unit
AKO-15659					1,6-2,5 A	10200 W	460 W	PROPLUS-3 Phase	1 Unit
AKO-15680	2,5 - 4 A		3 A	3 A		7000 W	460 W	PROPLUS-3 Phase	1 Unit
AKO-15681	4 - 6,3 A		3 A	3 A		7000 W	460 W	PROPLUS-3 Phase	1 Unit
AKO-15682	6,3 - 10 A		3 A	3 A		10200 W	460 W	PROPLUS-3 Phase	1 Unit
AKO-15683	10 - 12 A		3 A	3 A		10200 W	460 W	PROPLUS-3 Phase	1 Unit

PROCool

Universal Electronic Panels up to 25A



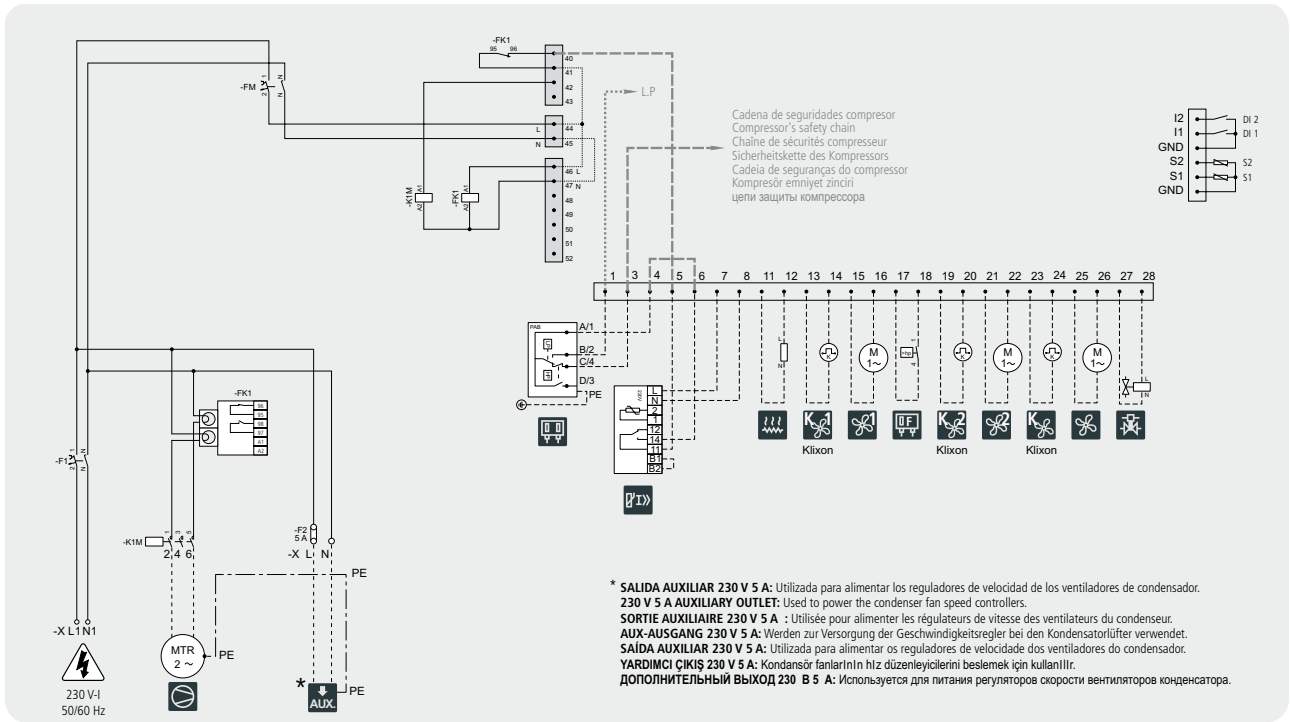
Electronic Panels for Single and Three Phase Condensing Units with Electrical Protection that is adjustable between 3 and 25A. Versions for single and three phase evaporator fans and/or single and three phase condenser fans, with or without single and three phase defrosting.

There are also two versions solely for control of three phase condensing units with single and three phase fans

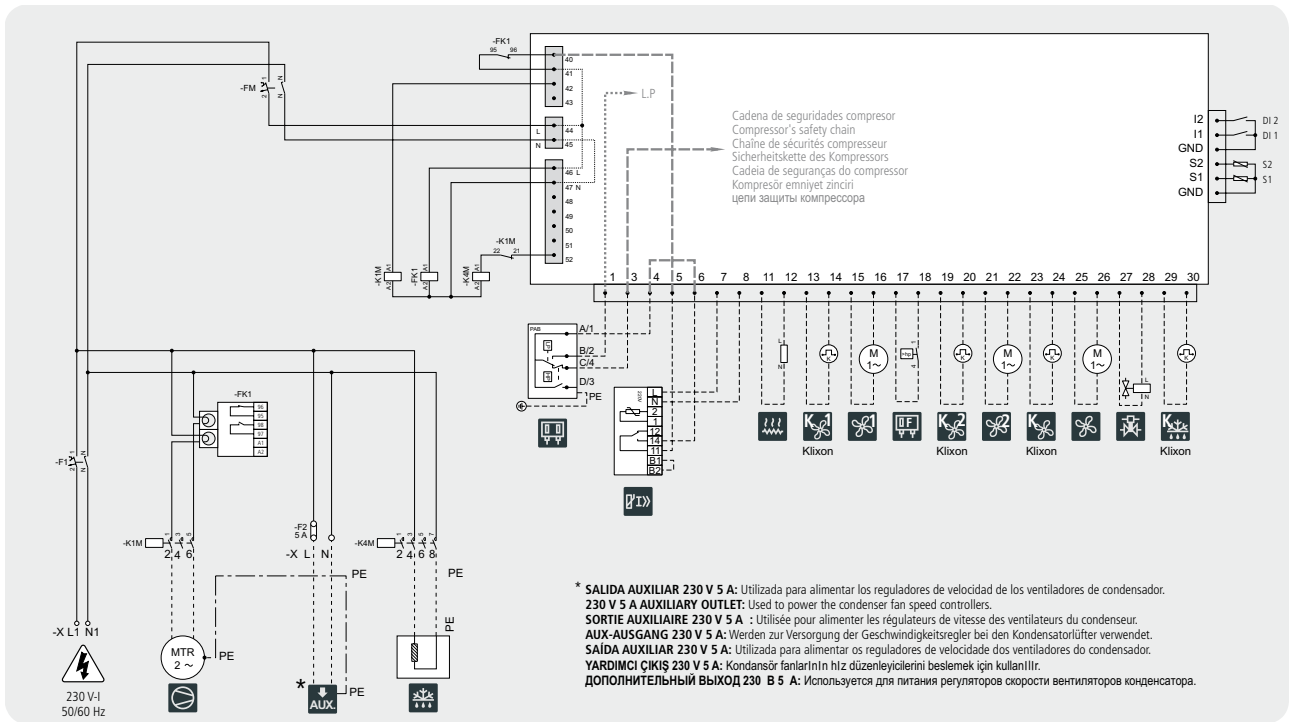
Applications: Positive and negative cold room stores up to 10CV

- Electrical Protection adjustable between 3 and 25A in a single reference
- Quick and safe wiring to Electronic Board via clamping terminals
- Electronic Control with Advanced Functionality, including combined management of Pump Down and Defrost
- Large sized user interface, with Hotkeys, large screen and synoptic of the installation on the front door
- Light IP65 enclosure suitable for industrial use
- Electrical elements and protections from top globally recognised brands and with global replacement on the market
- Configurable digital inputs for special functions (door contact, stop for fans and solenoid in door opening, remote defrost etc.)
- 5 Security systems to protect all the elements in the facility
- Large screen for maximum visibility of temperature over at long distance

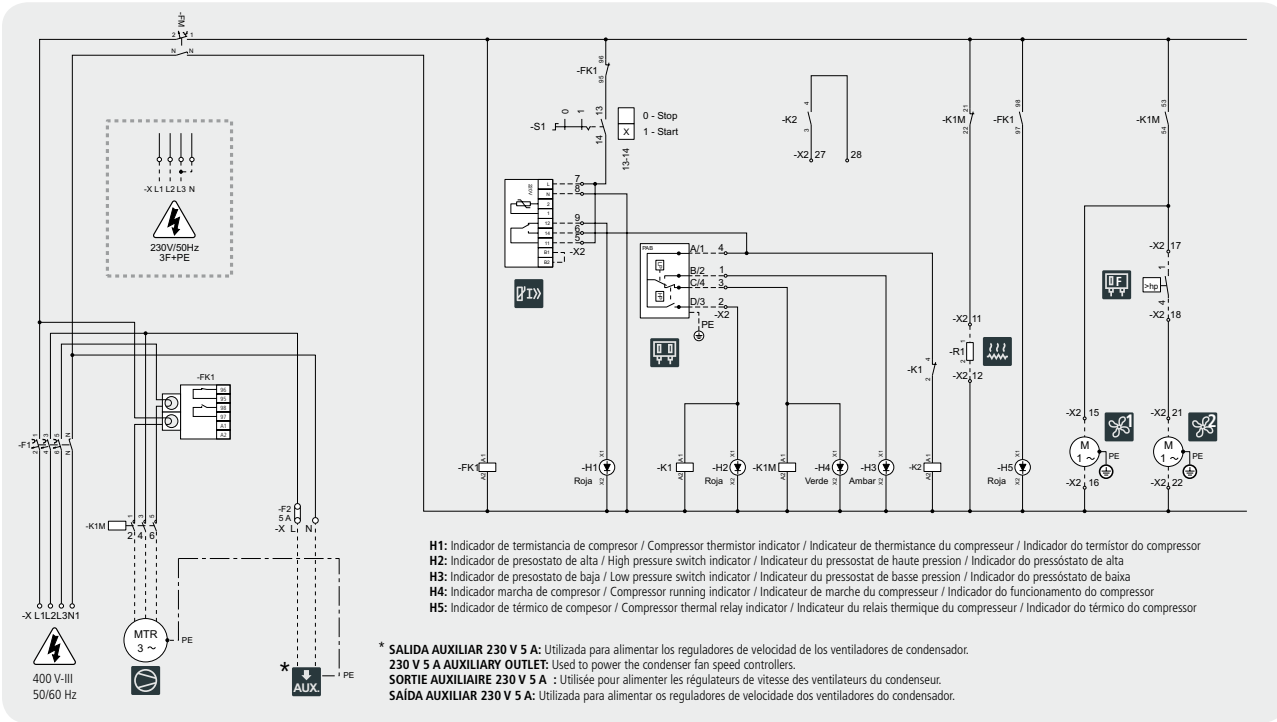
Reference AKO	Condensing Unit				Evaporator				Family	Packaging
	Compressor		Condenser		Fans		Defrost resistors			
	230 V-I	400 V-III	230 V-I	400 V-III	230 V-I	400 V-III	230 V-I	400 V-III		
AKO-17520	3 - 25 A	-	3 A	-	4 A	-	-	-	PROCool	1 Unit
AKO-17521	3 - 25 A	-	3 A	-	4 A	-	4,400 W	-	PROCool	1 Unit
AKO-17630	-	3 - 25 A	3 A	-	-	-	-	-	PROCool	1 Unit
AKO-17631	-	3 - 25 A	-	0.3 - 3 A	-	-	-	-	PROCool	1 Unit
AKO-17632	-	3 - 25 A	3 A	-	4 A	-	-	-	PROCool	1 Unit
AKO-17633	-	3 - 25 A	-	0.3 - 3 A	4 A	-	-	-	PROCool	1 Unit
AKO-17634	-	3 - 25 A	-	0.3 - 3 A	-	0.3 - 6 A	-	-	PROCool	1 Unit
AKO-17635	-	3 - 25 A	3 A	-	4 A	-	-	13,500 W	PROCool	1 Unit
AKO-17636	-	3 - 25 A	-	0.3 - 3 A	4 A	-	-	13,500 W	PROCool	1 Unit
AKO-17637	-	3 - 25 A	-	0.3 - 3 A	-	0.3 - 6 A	-	13,500 W	PROCool	1 Unit



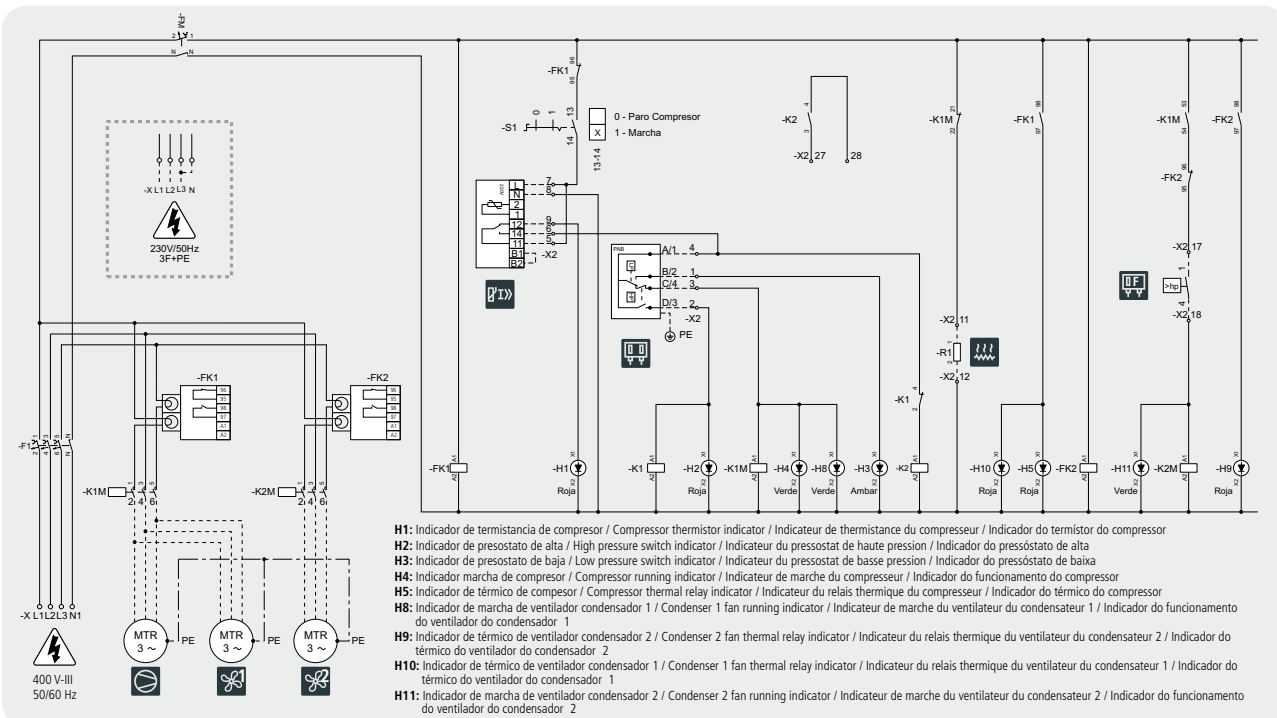
AKO-17520



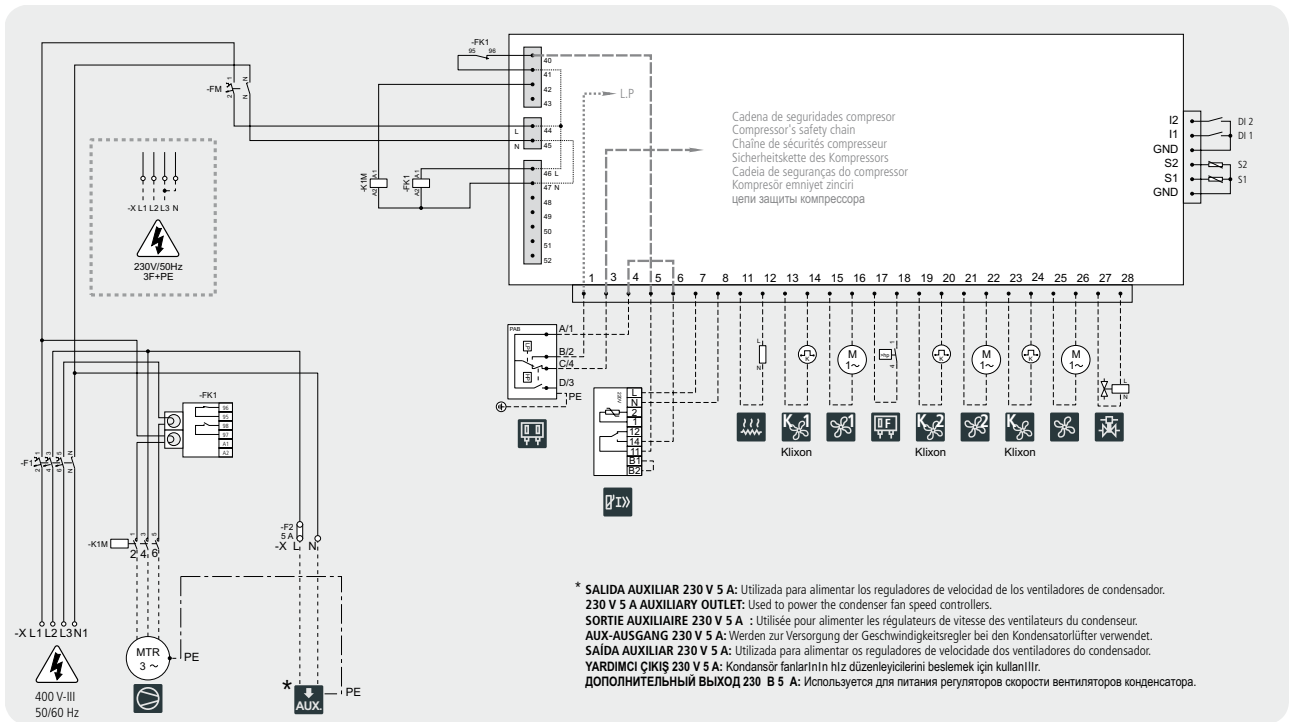
AKO-17521



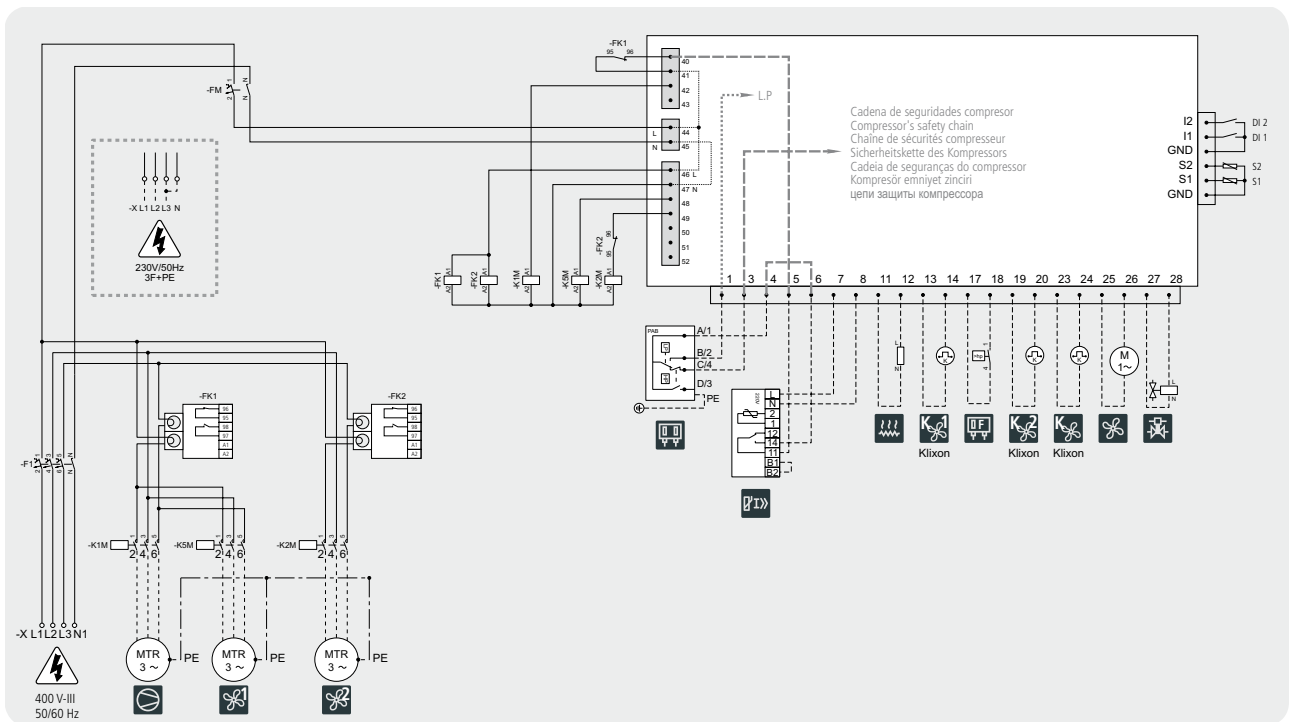
AKO-17630



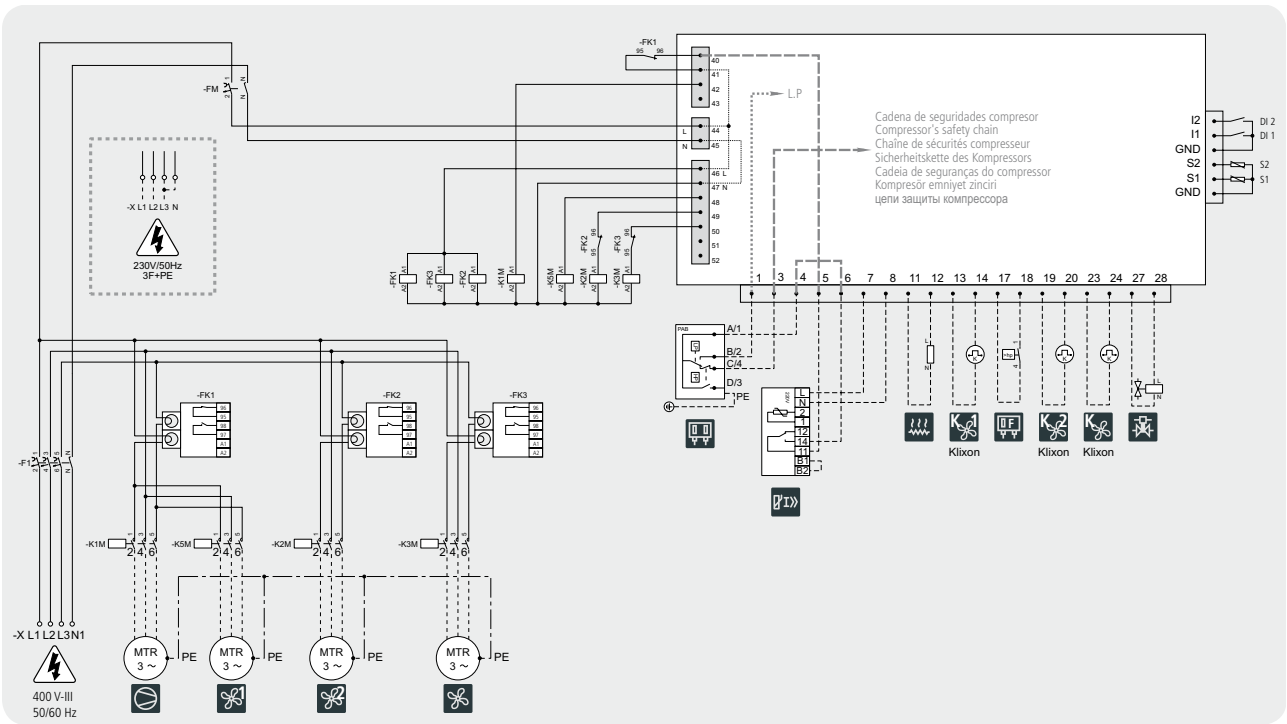
AKO-17631



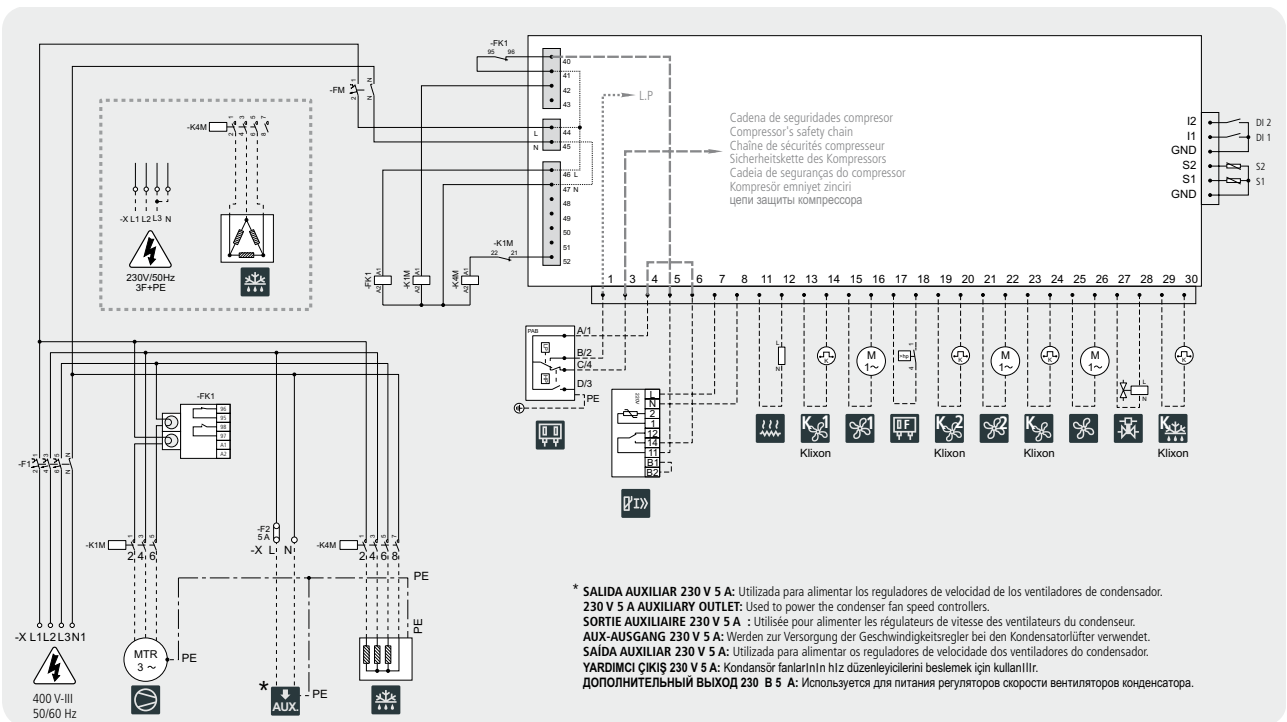
AKO-17632



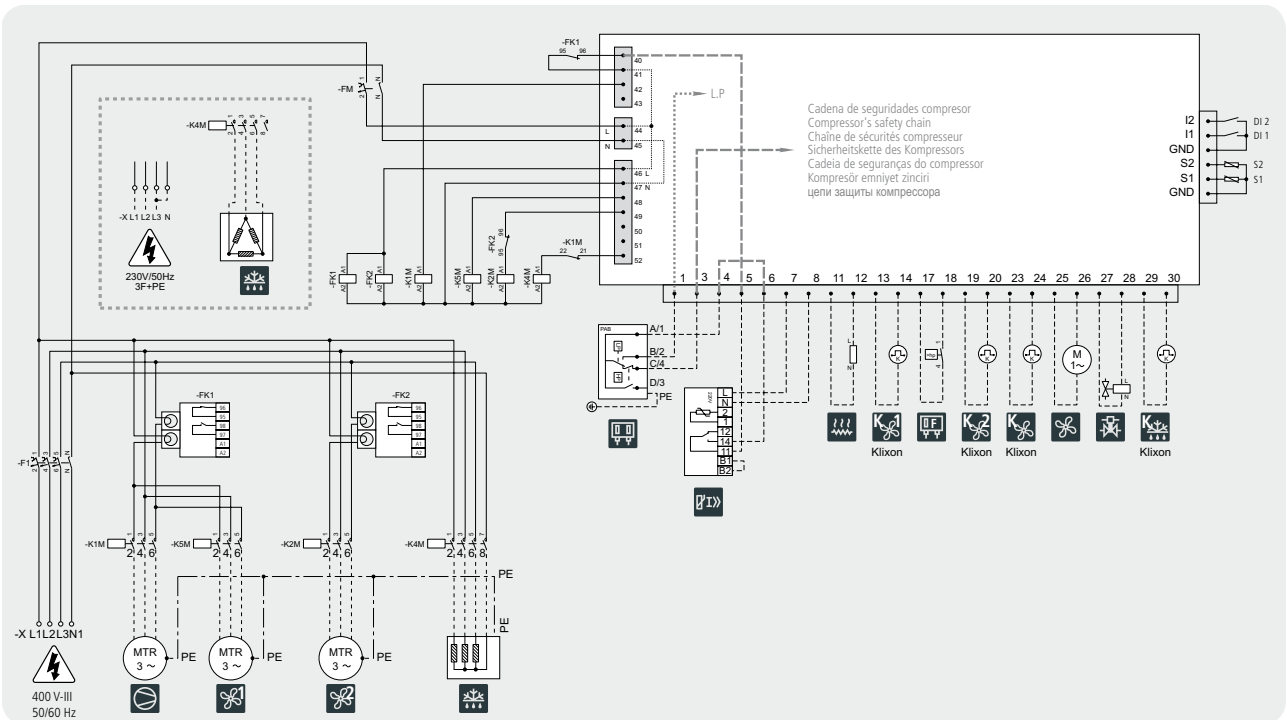
AKO-17633



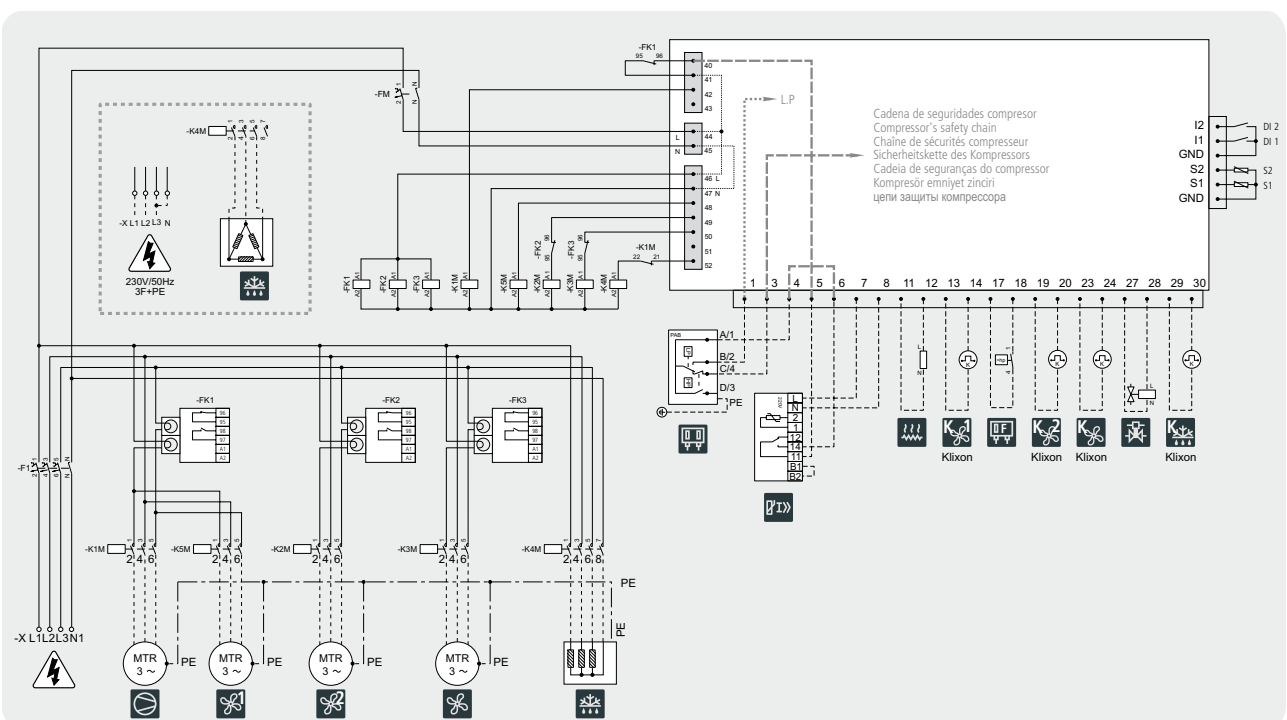
AKO-17634



AKO-17635



AKO-17636



AKO-17637